

A

B

C

D

E

F

G

**Applicable Standards**

**Pipe:** Class 200 psi, SDR 21, PVC, Gasketed per ASTM D2241, NSF 61

**PVC Materials:** ASTM D1784 cell class 12454

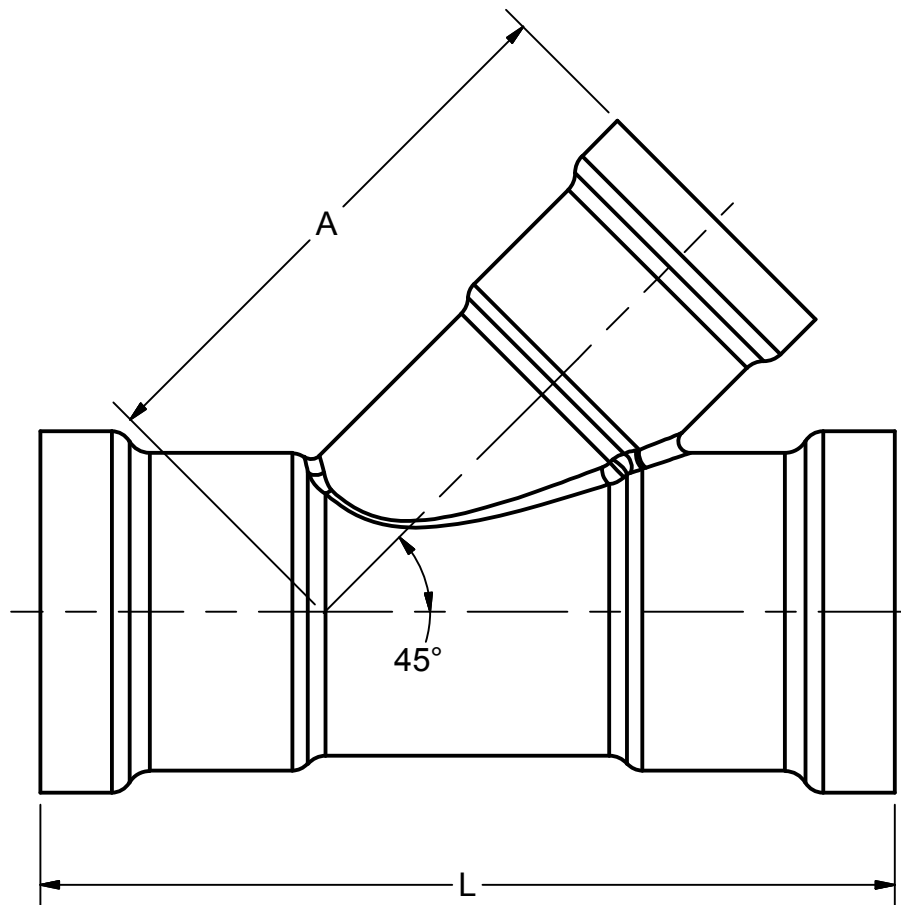
**Joints:** Pressure rated 200 psi and compliant with vacuum requirements per ASTM D3139

**Gaskets:** ASTM F 477

**Vacuum Qualification:** 22 inches-Hg for 4 hours with no loss per method of ASTM D3139

**Vacuum Production Test:** All fittings

SIZE	PART #	A	L
4x3	101-0403X	8.9	13.7
4x4	101-0404X	9.9	15.0
6x3	101-0603X	10.5	14.8



DRAWN BY:

SBR

DETAILED BY:

TLW

REV:

**A**

EFFECTIVE DATE:

9/10/2013

DWG DATE:

12/9/2011

REVIEWED BY:

SBR

DRAWING NUMBER:

MOLDED WYE-(SPEC).idw

MATERIAL:

SCALE:

n/a

SHEET:

1 of 1

TITLE:

MOLDED IPS WYE GxG VACUUM



**THE HARRINGTON  
CORPORATION**

A

B

C

D

E

F

G

**Applicable Standards**

**Pipe:** Class 200 psi, SDR 21, PVC, Gasketed per ASTM D2241, NSF 61

**PVC Materials:** ASTM D1784 cell class 12454

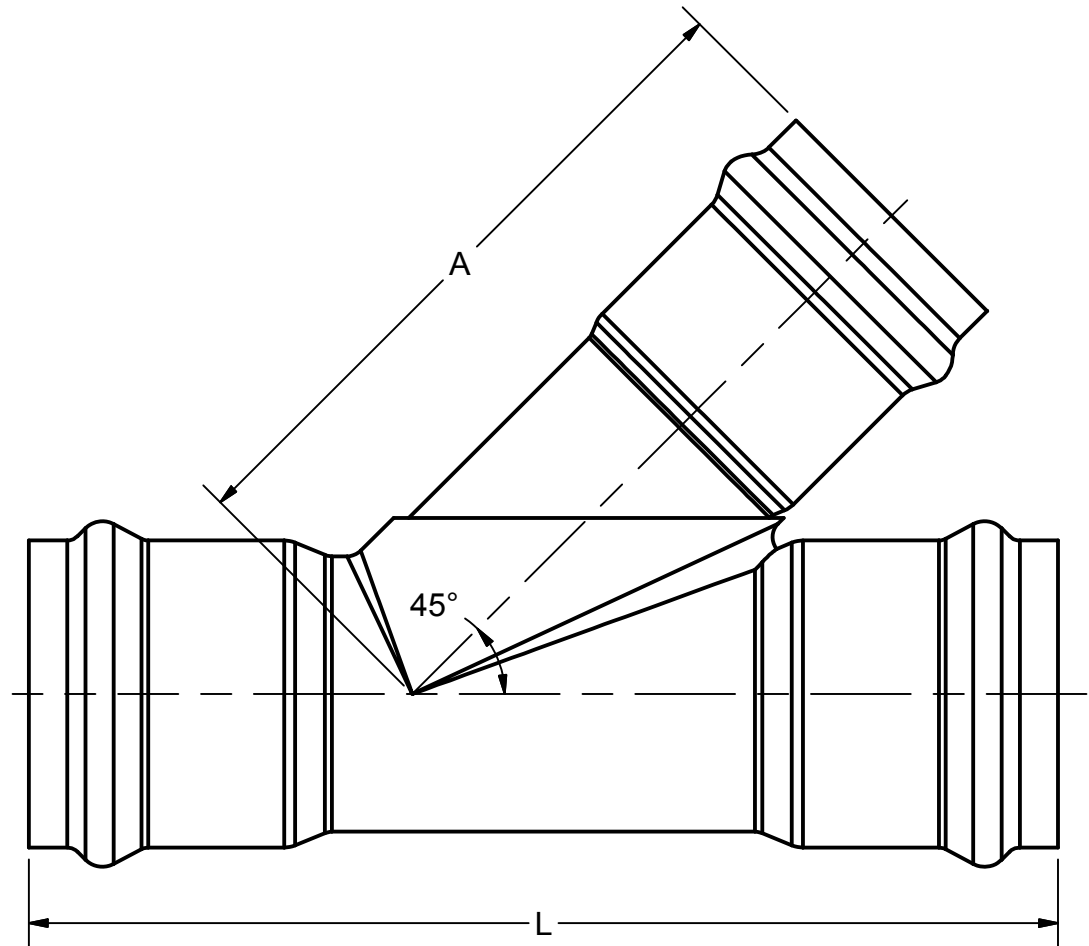
**Joints:** Pressure rated 200 psi and compliant with vacuum requirements per ASTM D3139

**Gaskets:** "Reiber" style per ASTM F 477

**Vacuum Qualification:** 22 inches-Hg for 4 hours with no loss per method of ASTM D3139

**Vacuum Production Test:** All fittings

SIZE	PART #	A	L
4x3	1-321-01-040403	10.3	16.3
4x4	1-321-01-040404	11.5	18.0
6x3	1-321-01-060603	11.5	19.5
6x4	1-321-01-060604	12.5	21.1
6x6	1-321-01-060606	15.0	25.1
8x3	1-321-01-080803	13.0	18.5
8x4	1-321-01-080804	14.5	21.6
8x6	1-321-01-080806	17.5	27.4
8x8	1-321-01-080808	19.5	29.4
10x3	1-321-01-101003	15.0	27.1
10x4	1-321-01-101004	15.5	28.3
10x6	1-321-01-101006	18.0	30.3
10x8	1-321-01-101008	19.5	33.0
10x10	1-321-01-101010	25.5	36.8
12x3	1-321-01-121203	15.5	25.8
12x4	1-321-01-121204	16.5	28.3
12x6	1-321-01-121206	18.0	30.8
12x8	1-321-01-121208	20.4	33.8
12x10	1-321-01-121210	24.9	36.3
12x12	1-321-01-121212	27.0	40.5

**NOTES:**

- Dimensions approximate, +/- 1/2"
- Angle of bend approximate, +/- 2°
- Design: main body is made from pipe with a "pulled and glued" branch

DRAWN BY:

TLW

DETAILED BY:

TLW

REV:

**B**

EFFECTIVE DATE:

9/1/2010

DWG DATE:

5/12/2010

REVIEWED BY:

SBR

DRAWING NUMBER:

FAB WYE-(SPEC).idw

MATERIAL:

SCALE:

n/a

SHEET:

1 of 1

TITLE:



**THE HARRINGTON  
CORPORATION**

SDR-21 IPS WYE GxG VACUUM

A

B

C

D

E

1

**Applicable Standards**

**Pipe:** Class 200 psi, SDR 21, PVC, Gasketed per ASTM D2241, NSF 61

**PVC Materials:** ASTM D1784 cell class 16344

**Joints:** Pressure rated 200 psi and compliant with vacuum requirements per ASTM D3139

2

**Gaskets:** ASTM F 477

**Vacuum Qualification:** 22 inches-Hg for 4 hours with no loss per method of ASTM D3139

3

**Vacuum Production Test:** Vacuum production test, 100% all fittings

4

5

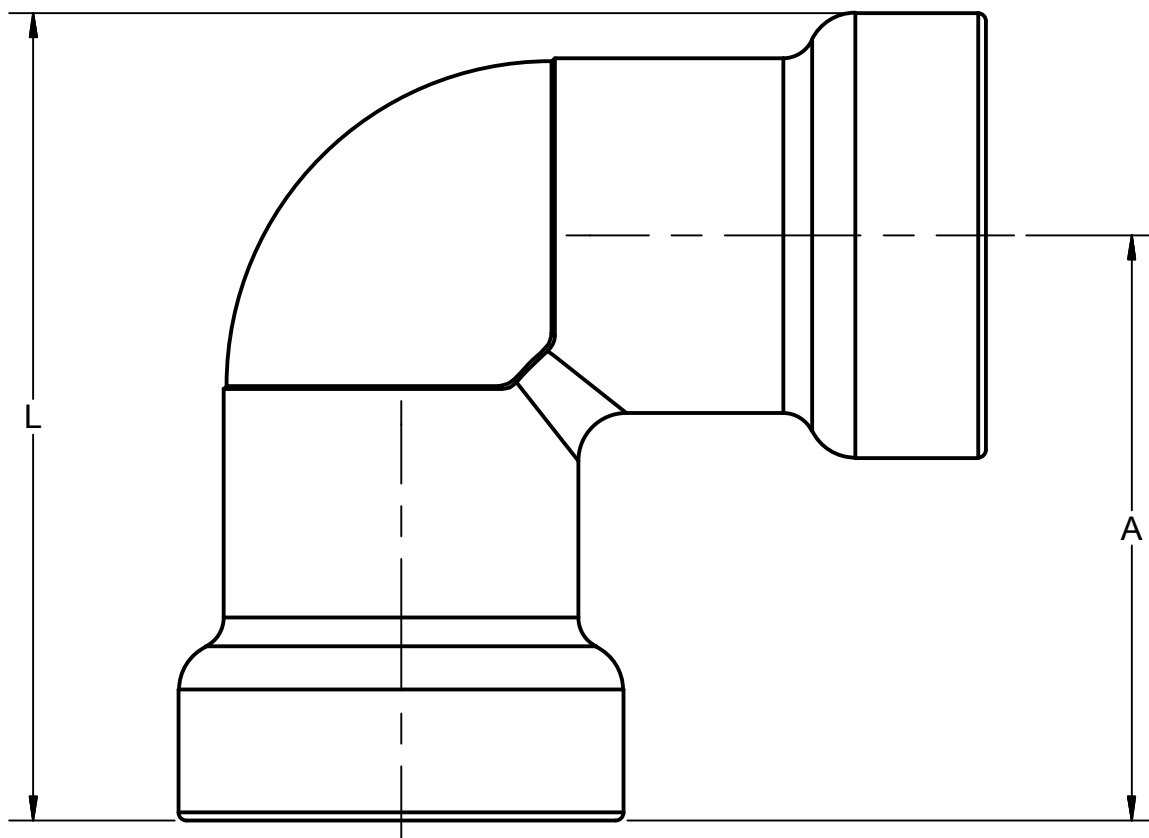
6

7

8

9

10



SIZE	PART No.	STYLE	A	L	WT. (approx.)
3"	118-030V	Molded	5.38	7.50	1.91

**3" 90° BEND GxG, VACUUM**

DRAWN BY: SAL	DETAILED BY: TLW	REV: <b>A</b>	EFFECTIVE DATE: 10/25/2012
DWG DATE: 4/14/2008	REVIEWED BY: SBR		DRAWING NUMBER: P390BB-(CUT SHEET).idw
MATERIAL: PVC	SCALE: n/a	SHEET: 1 of 1	



**THE HARRINGTON  
CORPORATION**

TITLE:  
**3" 90° BEND GxG, VACUUM**

A

B

C

D

E

F

G

**Applicable Standards**

**Pipe:** Class 200 psi, SDR 21, PVC, Gasketed per ASTM D2241, NSF 61

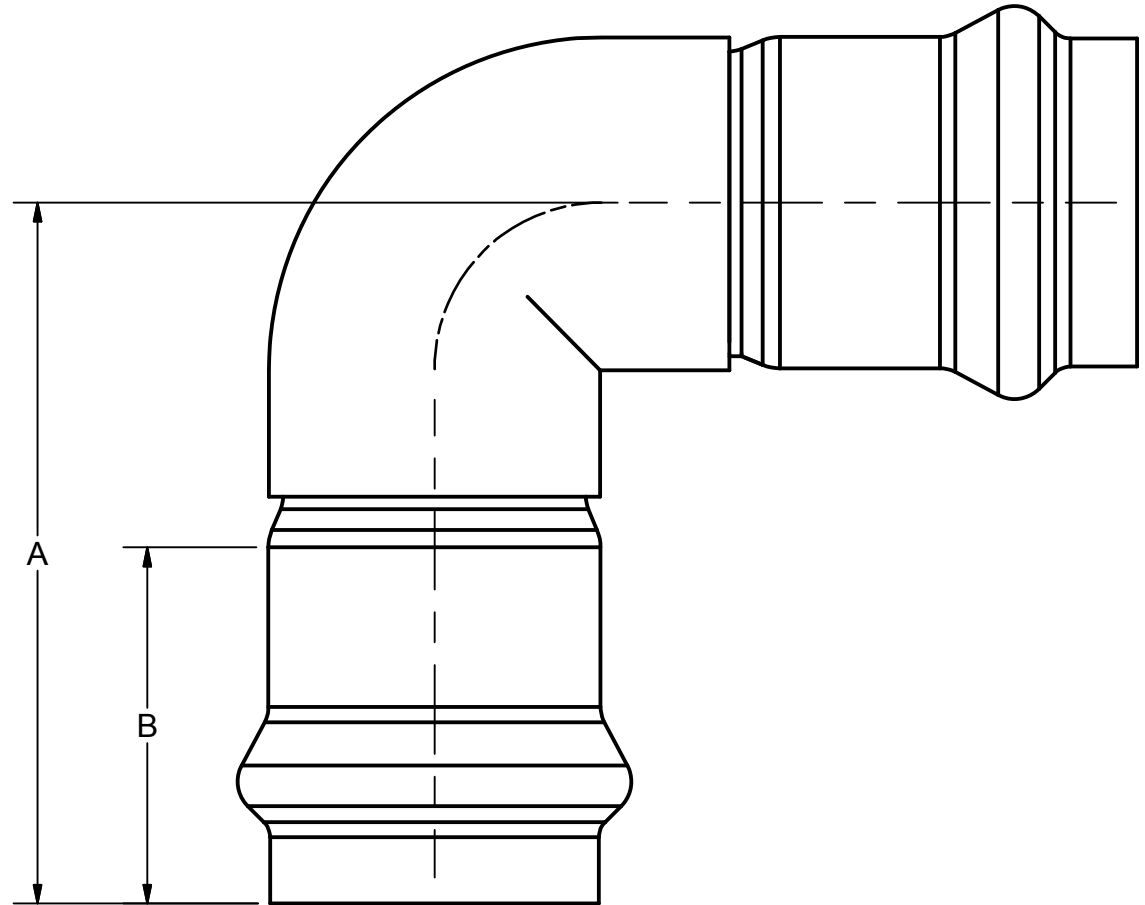
**PVC Materials:** ASTM D1784 cell class 12454

**Joints:** Pressure rated 200 psi and compliant with vacuum requirements per ASTM D3139

**Gaskets:** "Reiber" style per ASTM F 477

**Vacuum Qualification:** 22 inches-Hg for 4 hours with no loss per method of ASTM D3139

**Vacuum Production Test:** All fittings



SIZE	PART #	A	B
3"	1-321-18-03	9.5	4.7

**NOTES:**

- Dimensions approximate, +/- 1/2"
- Angle of bend approximate, +/- 2°
- Design: assembled with Sch 40 fitting and spigot adapters

DRAWN BY:

TLW

DETAILED BY:

TLW

REV:

**B**

EFFECTIVE DATE:

8/30/2010

DWG DATE:

5/14/2010

REVIEWED BY:

SBR

DRAWING NUMBER:

PFX90BB-(ASM SPEC).idw

MATERIAL:

SCALE:

n/a

SHEET:

1 of 1

TITLE:

SDR-21 IPS 90° BEND GxG VACUUM



**THE HARRINGTON  
CORPORATION**

A

B

C

D

E

1

**Applicable Standards**

**Pipe:** Class 200 psi, SDR 21, PVC, Gasketed per ASTM D2241, NSF 61

**PVC Materials:** ASTM D1784 cell class 16344

**Joints:** Pressure rated 200 psi and compliant with vacuum requirements per ASTM D3139

2

**Gaskets:** ASTM F 477

**Vacuum Qualification:** 22 inches-Hg for 4 hours with no loss per method of ASTM D3139

**Vacuum Production Test:** Vacuum production test, 100% all fittings

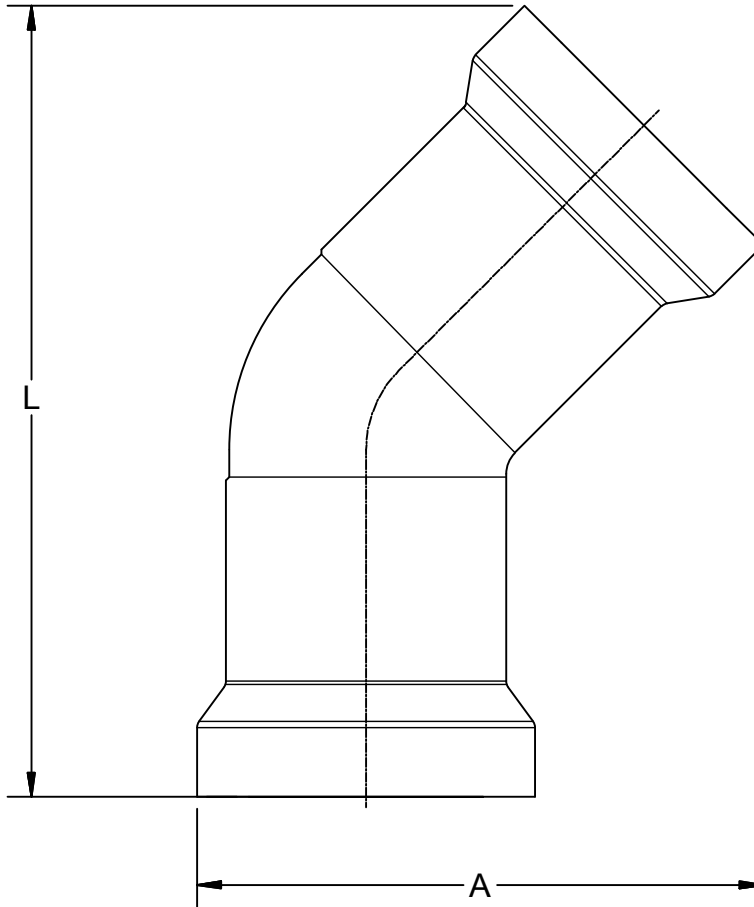
3

4

5

6

7



8

SIZE	PART No.	STYLE	A	L	WT. (approx.)
3"	122-030V	Molded	6.6	9.1	1.6
4"	122-040V	Molded	8.4	11.0	3.4
6"	122-060V	Molded	11.3	13.6	7.8
8"	122-080V	Molded	13.8	15.8	13.3

9

**45° BEND GxG, VACUUM**

10

DRAWN BY:	DETAILED BY: TLW	REV: <b>C</b>	EFFECTIVE DATE: 12/9/2011
DWG DATE:	REVIEWED BY: SBR		DRAWING NUMBER: PXB-(CUT SHEET).idw
MATERIAL: PVC	SCALE: n/a	SHEET: 1 of 1	



**THE HARRINGTON  
CORPORATION**

TITLE:

45° BEND GxG, VACUUM

A

B

C

D

E

F

G

**Applicable Standards**

**Pipe:** Class 200 psi, SDR 21, PVC, Gasketed per ASTM D2241, NSF 61

**PVC Materials:** ASTM D1784 cell class 12454

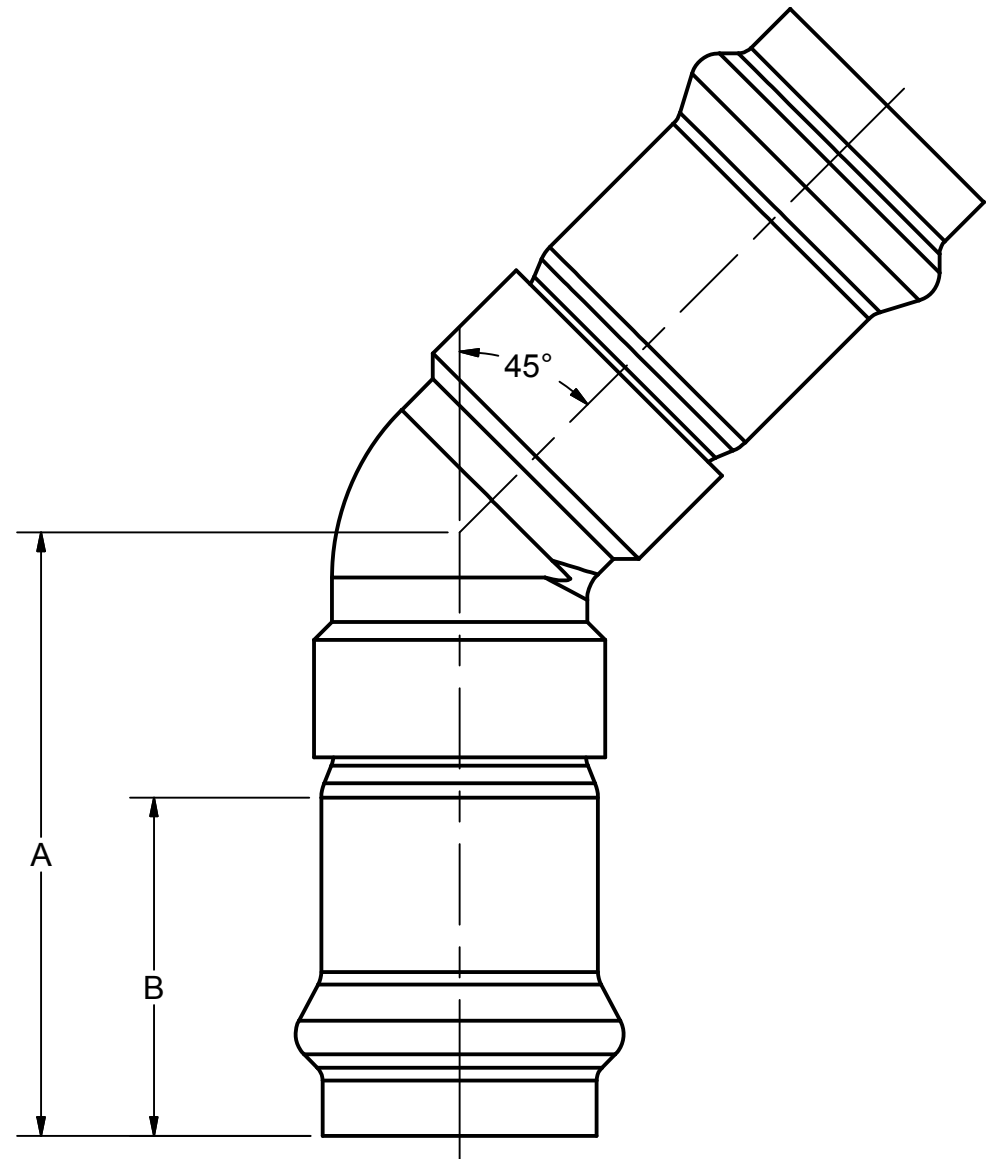
**Joints:** Pressure rated 200 psi and compliant with vacuum requirements per ASTM D3139

**Gaskets:** "Reiber" style per ASTM F 477

**Vacuum Qualification:** 22 inches-Hg for 4 hours with no loss per method of ASTM D3139

**Vacuum Production Test:** All fittings

SIZE	PART #	A	B
3"	1-321-22-03	7.8	4.7
4"	1-321-22-04	8.9	5.3

**NOTES:**

- Dimensions approximate, +/- 1/2"
- Angle of bend approximate, +/- 2°
- Design: assembled with Sch 40 fitting and spigot adapters

<b>DRAWN BY:</b> TLW	<b>DETAILED BY:</b> TLW	<b>REV:</b> <b>B</b>	<b>EFFECTIVE DATE:</b> 8/30/2010
<b>DWG DATE:</b> 5/21/2010	<b>REVIEWED BY:</b> SBR		<b>DRAWING NUMBER:</b> PFX45BB_(ASM. SPEC).idw
<b>MATERIAL:</b>	<b>SCALE:</b> n/a	<b>SHEET:</b> 1 of 1	<b>TITLE:</b> SDR-21 IPS 45° BEND GxG VACUUM



**THE HARRINGTON  
CORPORATION**

A

B

C

D

E

F

G

**Applicable Standards**

**Pipe:** Class 200 psi, SDR 21, PVC, Gasketed per ASTM D2241, NSF 61

**PVC Materials:** ASTM D1784 cell class 12454

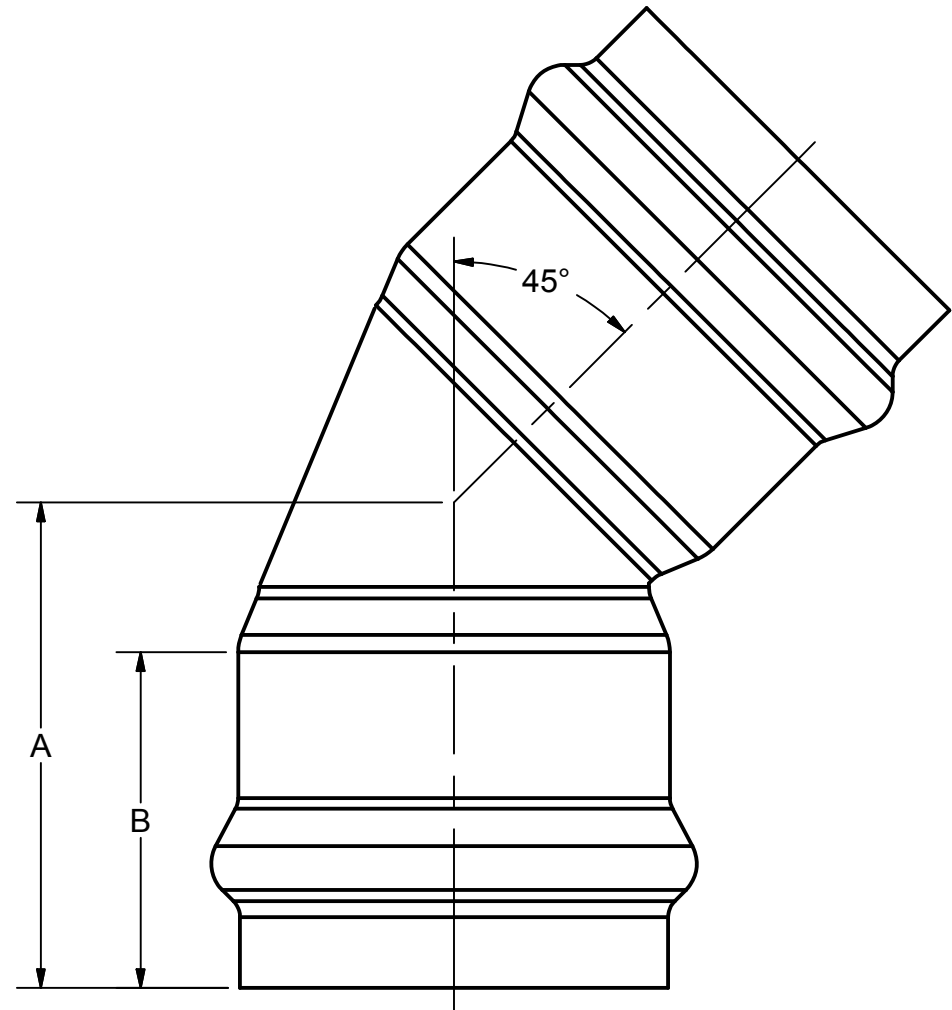
**Joints:** Pressure rated 200 psi and compliant with vacuum requirements per ASTM D3139

**Gaskets:** "Reiber" style per ASTM F 477

**Vacuum Qualification:** 22 inches-Hg for 4 hours with no loss per method of ASTM D3139

**Vacuum Production Test:** All fittings

SIZE	PART #	A	B
6"	1-321-22-06	8.1	5.6
8"	1-321-22-08	9.1	6.2
10"	1-321-22-10	12.5	9.0
12"	1-321-22-12	13.0	9.0

**NOTES:**

- Dimensions approximate, +/- 1/2"
- Angle of bend approximate, +/- 2°
- Design: formed from a pipe in one piece.

DRAWN BY:

TLW

DETAILED BY:

TLW

REV:

**B**

EFFECTIVE DATE:

08/30/2010

DWG DATE:

6/3/2010

REVIEWED BY:

SBR

DRAWING NUMBER:

PFX45BB\_(SPEC).idw

MATERIAL:

SCALE:

n/a

SHEET:

1 of 1

TITLE:

SDR-21 IPS 45° BEND GxG VACUUM



**THE HARRINGTON  
CORPORATION**

A

B

C

D

E

F

G

**Applicable Standards**

**Pipe:** Class 200 psi, SDR 21, PVC, Gasketed per ASTM D2241, NSF 61

**PVC Materials:** ASTM D1784 cell class 12454

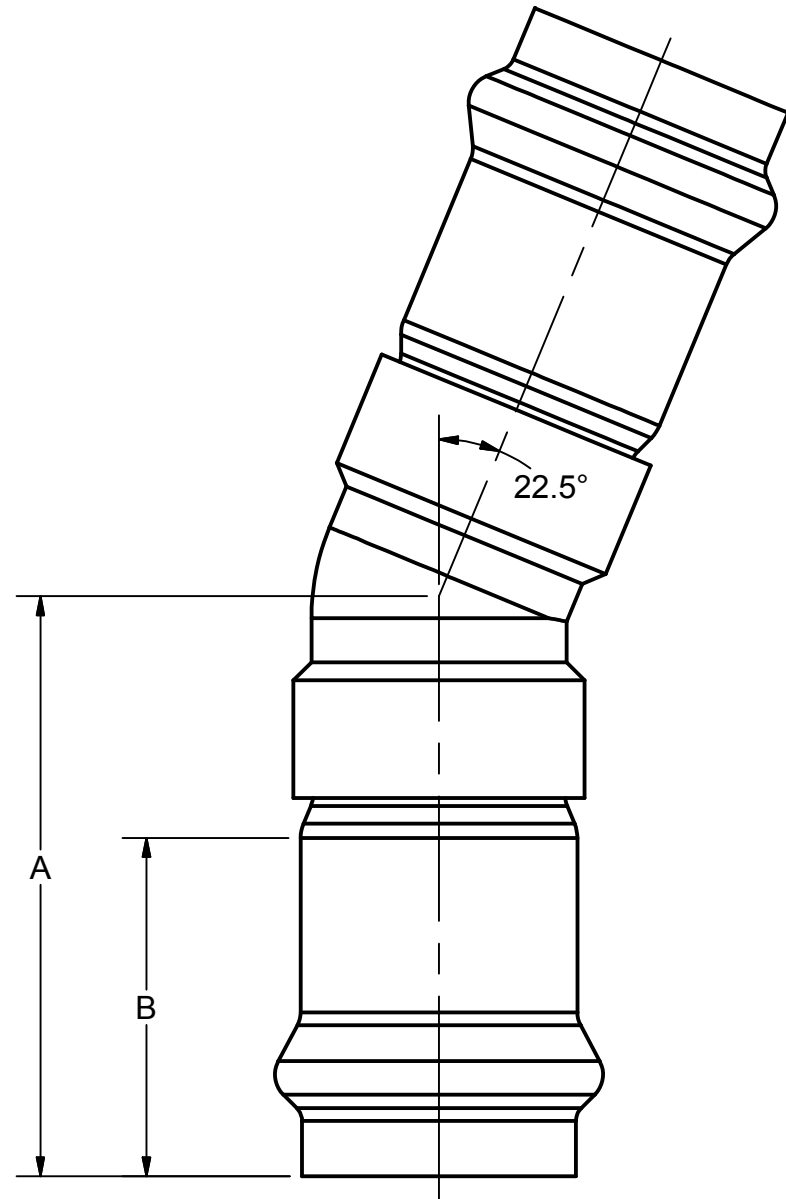
**Joints:** Pressure rated 200 psi and compliant with vacuum requirements per ASTM D3139

**Gaskets:** "Reiber" style per ASTM F 477

**Vacuum Qualification:** 22 inches-Hg for 4 hours with no loss per method of ASTM D3139

**Vacuum Production Test:** All fittings

SIZE	PART #	A	B
3"	1-321-24-03	7.8	4.7
4"	1-321-24-04	8.7	5.3

**NOTES:**

- Dimensions approximate, +/- 1/2"
- Angle of bend approximate, +/- 2°
- Design: assembled with Sch 40 fitting and spigot adapters

DRAWN BY:

TLW

DETAILED BY:

TLW

REV:

**B**

EFFECTIVE DATE:

8/30/2010

DWG DATE:

6/24/2010

REVIEWED BY:

SBR

DRAWING NUMBER:  
PFABX225BB (ASM.  
SPEC).idw

MATERIAL:

SCALE:

n/a

SHEET:

1 of 1

TITLE:

SDR-21 IPS 22 1/2° BEND GxG VACUUM



**THE HARRINGTON  
CORPORATION**



A

B

C

D

E

F

G

**Applicable Standards**

**Pipe:** Class 200 psi, SDR 21, PVC, Gasketed per ASTM D2241, NSF 61

**PVC Materials:** ASTM D1784 cell class 12454

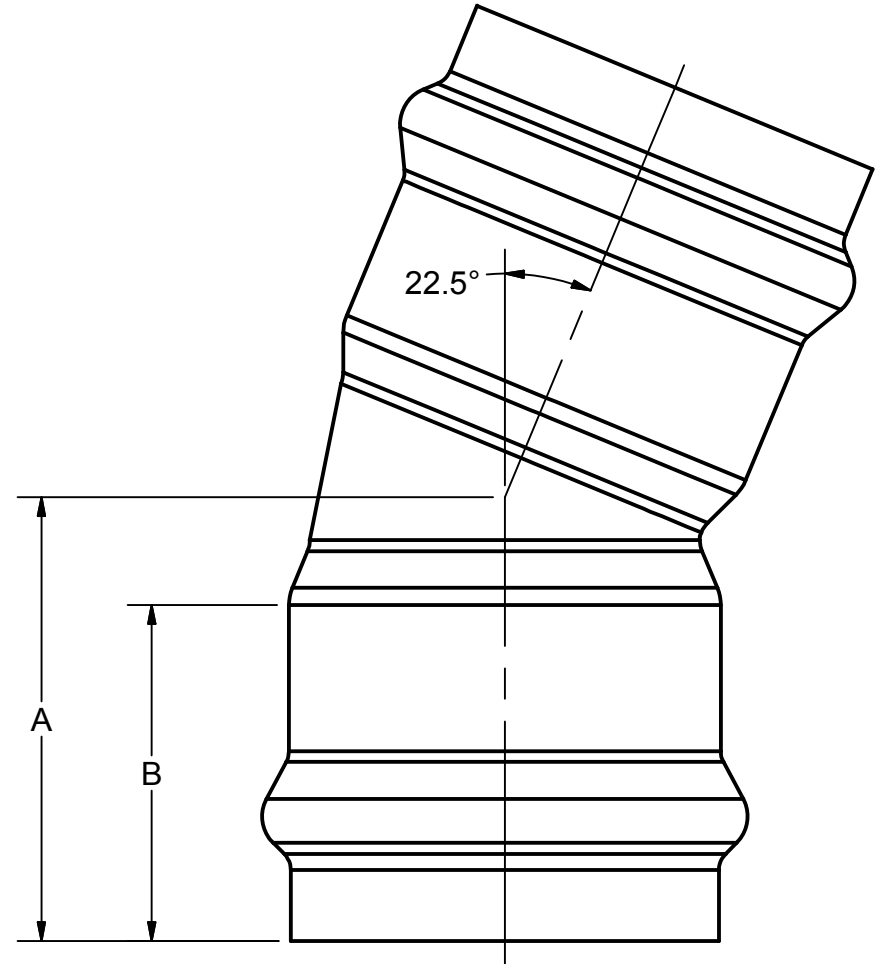
**Joints:** Pressure rated 200 psi and compliant with vacuum requirements per ASTM D3139

**Gaskets:** "Reiber" style per ASTM F 477

**Vacuum Qualification:** 22 inches-Hg for 4 hours with no loss per method of ASTM D3139

**Vacuum Production Test:** All fittings

SIZE	PART #	A	B
6"	1-321-24-06	7.4	5.6
8"	1-321-24-08	8.2	6.2
10"	1-321-24-10	11.3	9.0
12"	1-321-24-12	11.7	9.0

**NOTES:**

- Dimensions approximate, +/- 1/2"
- Angle of bend approximate, +/- 2°
- Design: formed from a pipe in one piece.

DRAWN BY:

TLW

DETAILED BY:

TLW

REV:

**B**

EFFECTIVE DATE:

08/30/2010

DWG DATE:

6/15/2010

REVIEWED BY:

SBR

DRAWING NUMBER:

PFX225BB\_(SPEC).idw

MATERIAL:

SCALE:

n/a

SHEET:

1 of 1

TITLE:

SDR-21 IPS 22 1/2° BEND GxG VACUUM



**THE HARRINGTON  
CORPORATION**

A

B

C

D

E

F

G

**Applicable Standards**

**Pipe:** Class 200 psi, SDR 21, PVC, Gasketed per ASTM D2241, NSF 61

**PVC Materials:** ASTM D1784 cell class 12454

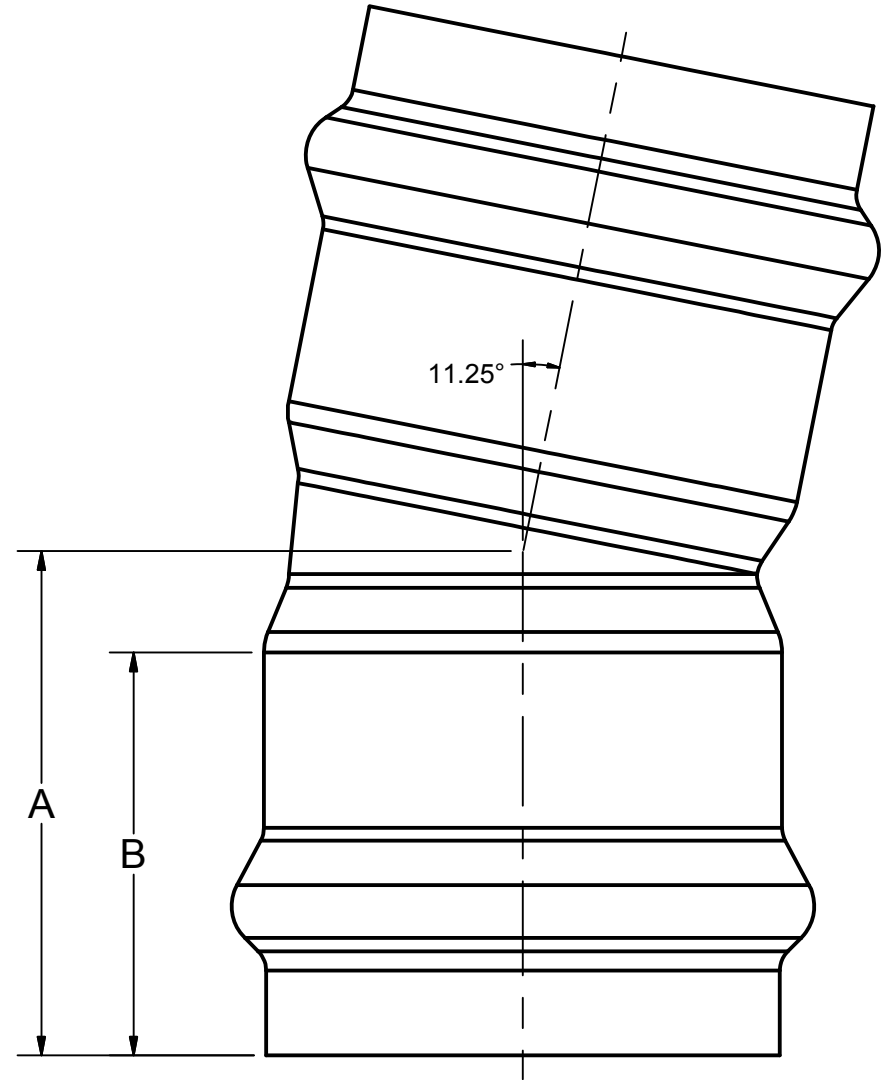
**Joints:** Pressure rated 200 psi and compliant with vacuum requirements per ASTM D3139

**Gaskets:** "Reiber" style per ASTM F 477

**Vacuum Qualification:** 22 inches-Hg for 4 hours with no loss per method of ASTM D3139

**Vacuum Production Test:** All fittings

SIZE	PART #	A	B
6"	1-321-26-06	7.0	5.6
8"	1-321-26-08	7.8	6.2
10"	1-321-26-10	10.8	9.0
12"	1-321-26-12	11.0	9.0

**NOTES:**

- Dimensions approximate, +/- 1/2"
- Angle of bend approximate, +/- 2°
- Design: formed from a pipe in one piece.

DRAWN BY:

TLW

DETAILED BY:

TLW

REV:

**B**

EFFECTIVE DATE:

08/30/2010

DWG DATE:

5/11/2010

REVIEWED BY:

SBR

DRAWING NUMBER:

PFX1125BB\_(SPEC).idw

MATERIAL:

SCALE:

n/a

SHEET:

1 of 1

TITLE:

SDR-21 IPS 11 1/4° BEND GxG VACUUM



**THE HARRINGTON  
CORPORATION**

A

B

C

D

E

F

G

**Applicable Standards**

**Pipe:** Class 200 psi, SDR 21, PVC, Gasketed per ASTM D2241, NSF 61

**PVC Materials:** ASTM D1784 cell class 12454

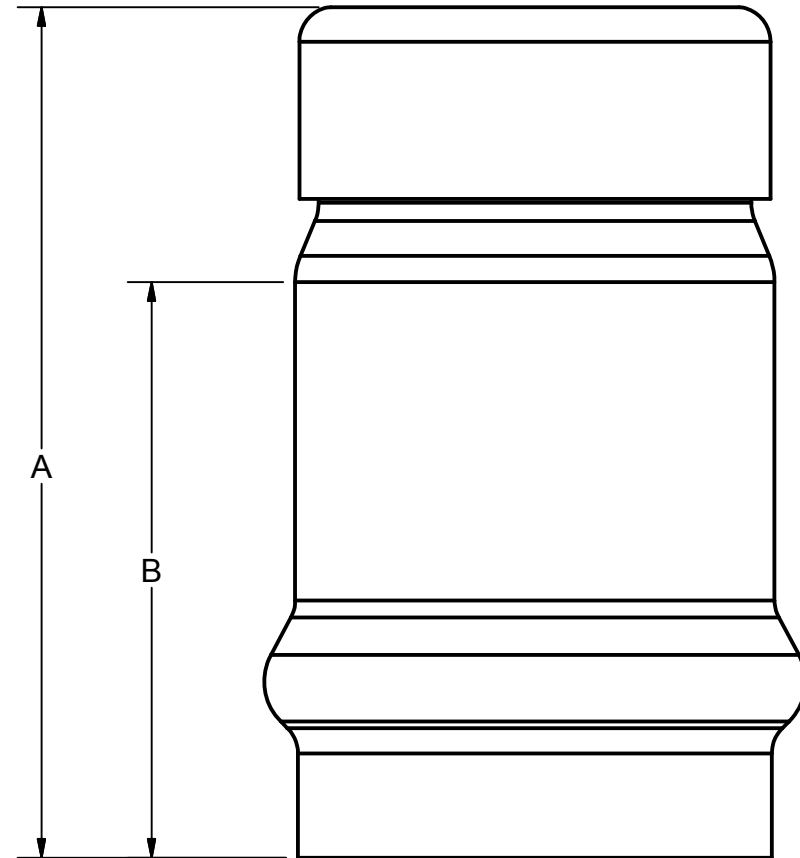
**Joints:** Pressure rated 200 psi and compliant with vacuum requirements per ASTM D3139

**Gaskets:** "Reiber" style per ASTM F 477

**Vacuum Qualification:** 22 inches-Hg for 4 hours with no loss per method of ASTM D3139

**Vacuum Production Test:** All fittings

SIZE	PART #	A	B
3"	1-321-49-03	6.0	4.7
4"	1-321-49-04	7.3	5.3
6"	1-321-49-06	8.9	5.6
8"	1-321-49-08	10.8	6.2
10"	1-321-49-10	15.4	9.0
12"	1-321-49-12	12.8	9.0

**NOTES:**

- Dimensions approximate, +/- 1/2"
- Angle of bend approximate, +/- 2°
- Design: made from formed pvc cap glued on to end of bell formed from pipe

DRAWN BY:

TLW

DETAILED BY:

TLW

REV:

**B**

EFFECTIVE DATE:

9/1/2010

DWG DATE:

5/12/2010

REVIEWED BY:

SBR

DRAWING NUMBER:

CAP x BELL.idw

MATERIAL:

SCALE:

n/a

SHEET:

1 of 1



**THE HARRINGTON  
CORPORATION**

TITLE:

SDR-21 IPS CAP VACUUM

A

B

C

D

E

F

G

**Applicable Standards**

**Pipe:** Class 200 psi, SDR 21, PVC, Gasketed per ASTM D2241, NSF 61

**PVC Materials:** ASTM D1784 cell class 12454

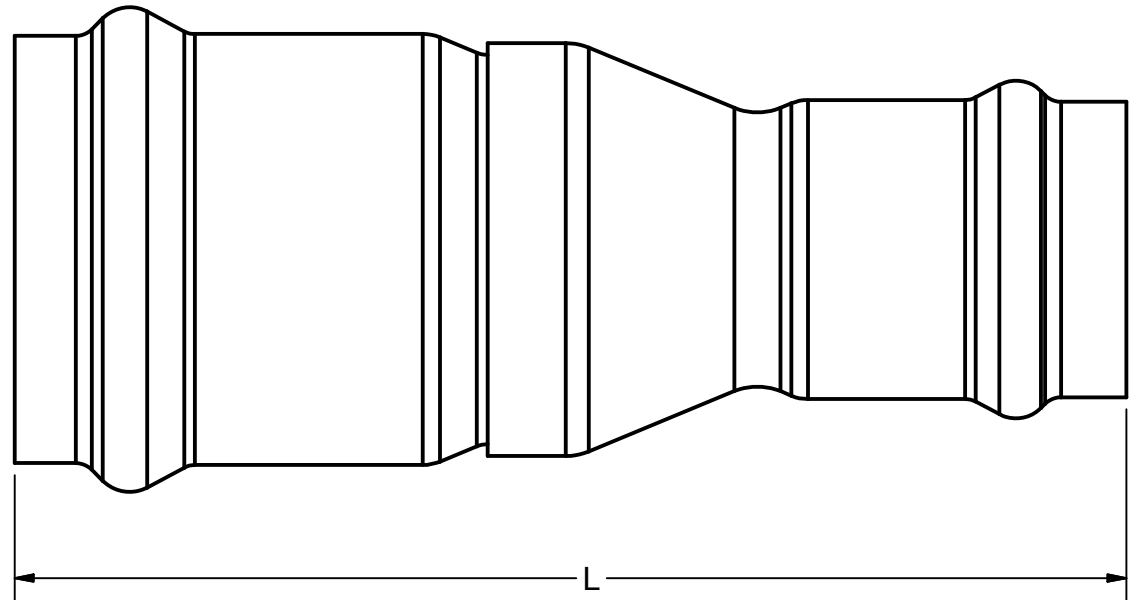
**Joints:** Pressure rated 200 psi and compliant with vacuum requirements per ASTM D3139

**Gaskets:** "Reiber" style per ASTM F 477

**Vacuum Qualification:** 22 inches-Hg for 4 hours with no loss per method of ASTM D3139

**Vacuum Production Test:** All fittings

SIZE	PART #	L
4x3	1-321-17-0403	11.5
6x3	1-321-17-0603	14.3
6x4	1-321-17-0604	14.0
8x4	1-321-17-0804	17.0
8x6	1-321-17-0806	16.8
10x6	1-321-17-1006	18.8
10x8	1-321-17-1008	20.9
12x8	1-321-17-1208	22.0
12x10	1-321-17-1210	22.0

**NOTES:**

- Dimensions approximate, +/- 1/2"
- Angle of bend approximate, +/- 2°
- Design: two couplings formed from pipe and glued together

<b>DRAWN BY:</b> TLW	<b>DETAILED BY:</b> TLW	<b>REV:</b> <b>B</b>	<b>EFFECTIVE DATE:</b> 9/1/2010
<b>DWG DATE:</b> 5/12/2010	<b>REVIEWED BY:</b> SBR		<b>DRAWING NUMBER:</b> REDUCER GxG.idw
<b>MATERIAL:</b>	<b>SCALE:</b> n/a	<b>SHEET:</b> 1 of 1	<b>TITLE:</b> SDR-21 IPS REDUCER GxG VACUUM



**THE HARRINGTON  
CORPORATION**

A

B

C

D

E

F

G

**Applicable Standards**

**Pipe:** Class 200 psi, SDR 21, PVC, Gasketed per ASTM D2241, NSF 61

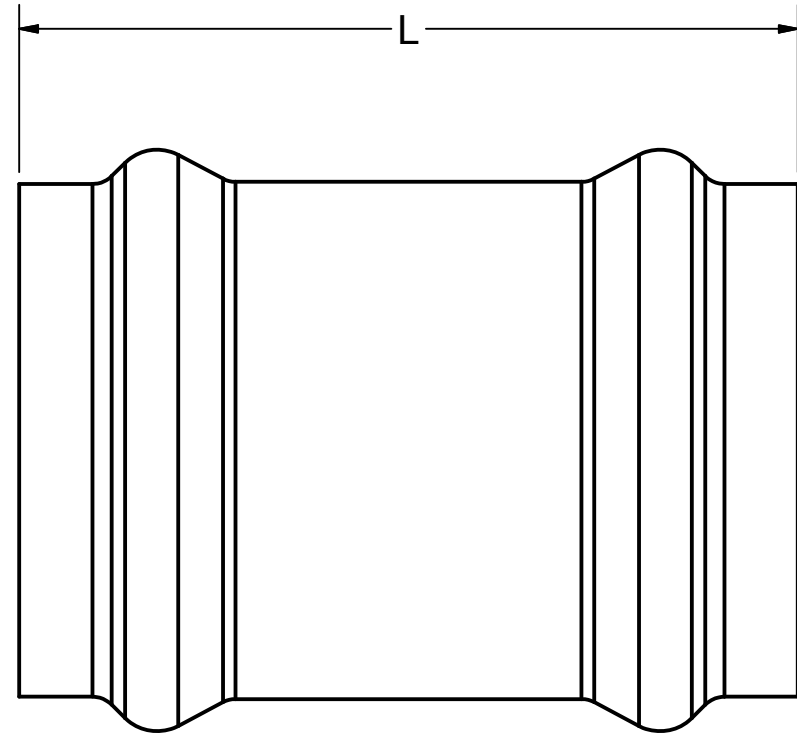
**PVC Materials:** ASTM D1784 cell class 12454

**Joints:** Pressure rated 200 psi and compliant with vacuum requirements per ASTM D3139

**Gaskets:** "Reiber" style per ASTM F 477

**Vacuum Qualification:** 22 inches-Hg for 4 hours with no loss per method of ASTM D3139


**Vacuum Production Test:** All fittings



SIZE	PART #	L
3"	1-321-09-03	8.5
4"	1-321-09-04	10.0
6"	1-321-09-06	10.8
8"	1-321-09-08	11.8
10"	1-321-09-10	15.5
12"	1-321-09-12	16.5

**NOTES:**

- Dimensions approximate, +/- 1/2"
- Angle of bend approximate, +/- 2°
- Design: formed from a pipe in one piece.

<b>DRAWN BY:</b> TLW	<b>DETAILED BY:</b> TLW	<b>REV:</b> <b>B</b>	<b>EFFECTIVE DATE:</b> 9/1/2010		<b>THE HARRINGTON CORPORATION</b>
<b>DWG DATE:</b> 5/13/2010	<b>REVIEWED BY:</b> SBR	<b>DRAWING NUMBER:</b> FAB REPAIR COUPLING.idw	<b>SHEET:</b> 1 of 1		
<b>MATERIAL:</b>		<b>SCALE:</b> n/a	<b>TITLE:</b> SDR-21 IPS REPAIR COUPLING GxG VACUUM		

A

B

C

D

E

F

G

**Applicable Standards**

**Pipe:** Class 200 psi, SDR 21, PVC, Gasketed per ASTM D2241, NSF 61

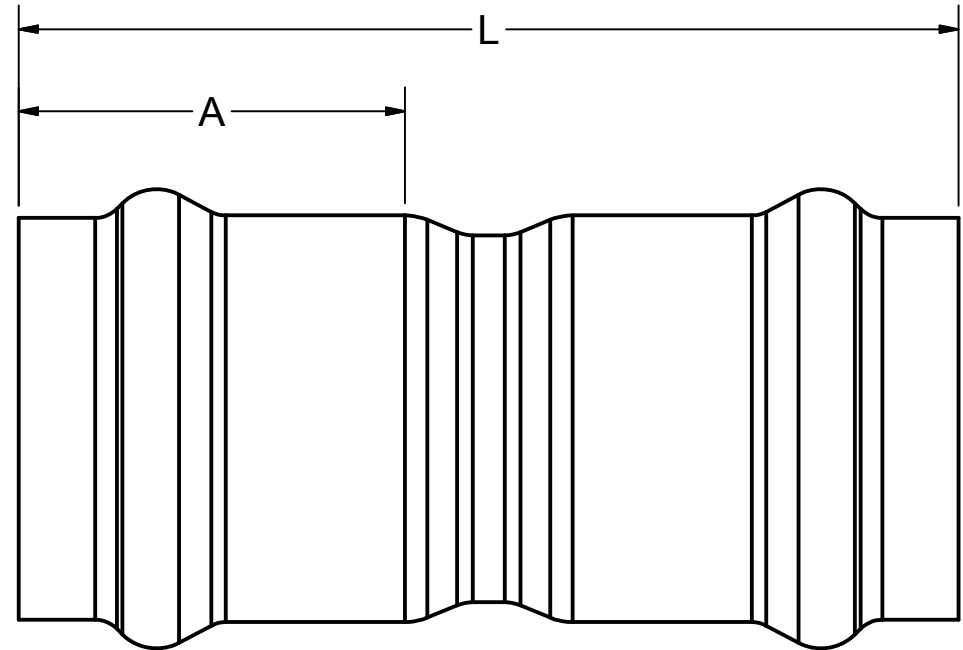
**PVC Materials:** ASTM D1784 cell class 12454

**Joints:** Pressure rated 200 psi and compliant with vacuum requirements per ASTM D3139

**Gaskets:** "Reiber" style per ASTM F 477

**Vacuum Qualification:** 22 inches-Hg for 4 hours with no loss per method of ASTM D3139

**Vacuum Production Test:** All fittings



SIZE	PART #	A	L
3"	1-321-08-03	4.7	9.5
4"	1-321-08-04	5.3	11.5
6"	1-321-08-06	5.6	13.8
8"	1-321-08-08	6.2	14.9
10"	1-321-08-10	9.0	20.9
12"	1-321-08-12	9.0	21.0

**NOTES:**

- Dimensions approximate, +/- 1/2"
- Angle of bend approximate, +/- 2°
- Design: formed from a pipe in one piece.

DRAWN BY:

TLW

DETAILED BY:

TLW

REV:

**B**

EFFECTIVE DATE:

9/1/2010

DWG DATE:

6/17/2010

REVIEWED BY:

SBR

DRAWING NUMBER:

FAB STOP COUPLING.idw

MATERIAL:

SCALE:

n/a

SHEET:

1 of 1

TITLE:

SDR-21 IPS STOP COUPLING GxG VACUUM



**THE HARRINGTON  
CORPORATION**