

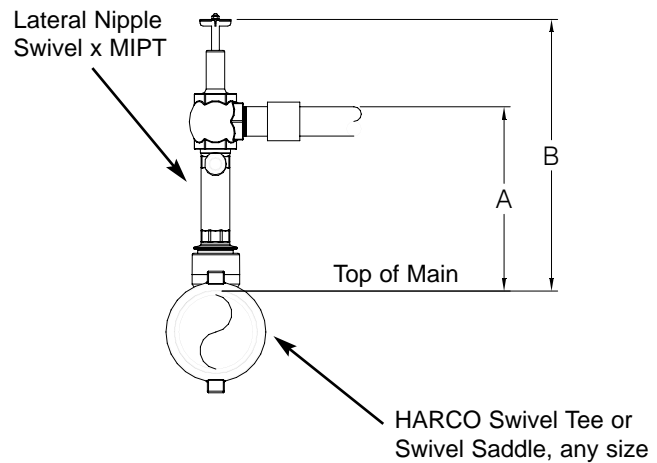
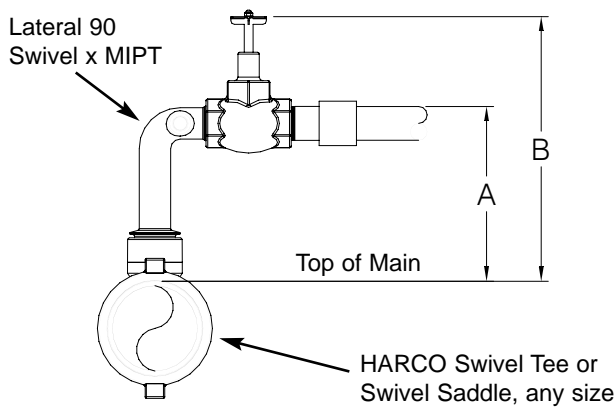
FITTINGS

SWIVEL JOINT LATERAL CONNECTION SYSTEM

For Threaded Valves

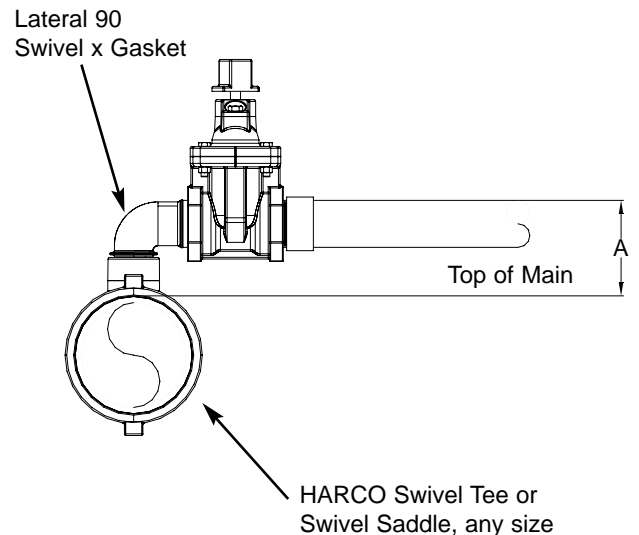
Lay Lengths

Valves Supplied By Others



DIMENSIONS FROM TOP OF MAIN				
OUTLET DIAMETER x RISE	LATERAL 90		LATERAL NIPPLE	
	SWL x MIPT		SWL x MIPT	
	A	B	A	B
1½ x 6	6	-	-	-
1½ x 12	12	-	-	-
2 x 6	6	12½	-	-
2 x 8	-	-	8	15
2 x 12	12	18½	12	18½
2 x 14	-	-	14	21
2 x 18	-	-	18	24½
2½ x 6	6	-	-	-
2½ x 8	-	-	8	16
3 x 7	7	-	-	-
3 x 10	-	-	10	18

- Rise is the elevation difference between top of main to top of lateral.
- All dimensions are approximate.
- "B" dimensions vary with valve manufacturer ~ +/- 1".
- "A" and "B" dimensions may be increased in increments of 6" with the addition of swivel extensions.



HARRINGTON CORPORATION • P.O. BOX 10335 • LYNCHBURG, VIRGINIA 24506

PHONE: 434-845-7094 • FAX: 434-845-8562 • E-MAIL: sales@harcofittings.com • WEB: www.harcofittings.com

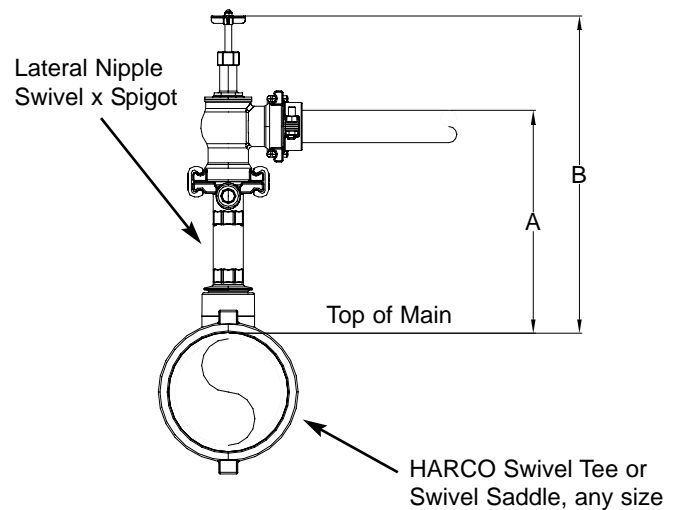
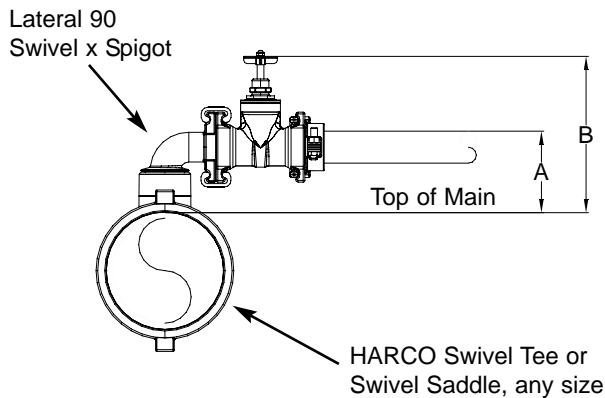
PF125-FEBRUARY 6, 2006

FITTINGS

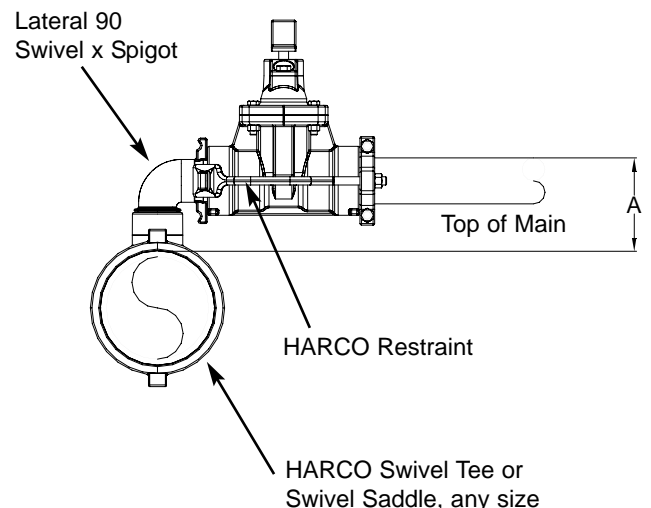
SWIVEL JOINT LATERAL CONNECTION SYSTEM

For Push On Valves

Lay Lengths



DIMENSIONS FROM TOP OF MAIN				
OUTLET DIAMETER x RISE	LATERAL 90 SWIVEL x SPIGOT		LATERAL NIPPLE SWIVEL x SPIGOT	
	A	B	A	B
2 x 6	6	12½	-	-
2 x 10	-	-	10	16½
2 x 12	12	18½	12	18½
2 x 18	18	24½	18	24½
2½ x 6	6	15	-	-
3 x 7	7	16½	-	-



- Rise is the elevation difference between top of main to top of lateral.
- All dimensions are approximate.
- "B" dimensions vary with valve manufacturer ~ +/- 1½".
- "A" and "B" dimensions may be increased in increments of 6" with the addition of swivel extensions.

Valves Supplied By Others



HARRINGTON CORPORATION • P.O. BOX 10335 • LYNCHBURG, VIRGINIA 24506

PHONE: 434-845-7094 • FAX: 434-845-8562 • E-MAIL: sales@harcofittings.com • WEB: www.harcofittings.com

PF125-FEBRUARY 6, 2005