

# Sewer Pipe Fitting Assembly Instructions

## Items to be assembled:

- #1 – Pipe Lube
- #2 – Gasket Seal
- #3 – Pipe with Bevel
- #4 – Fitting Bell

## Notes:

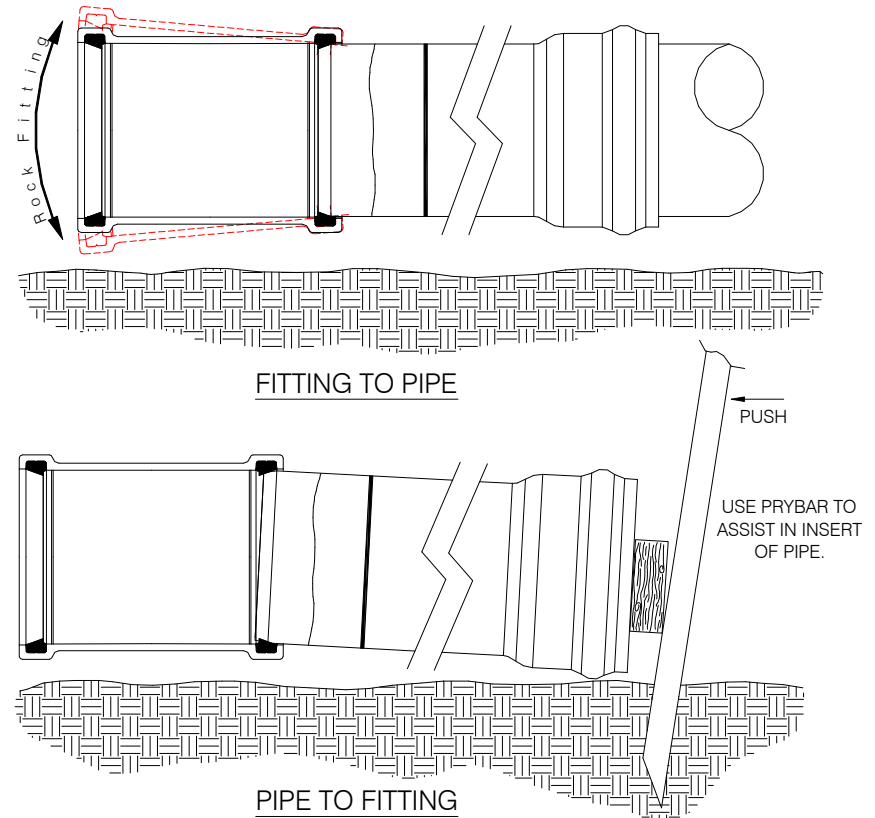
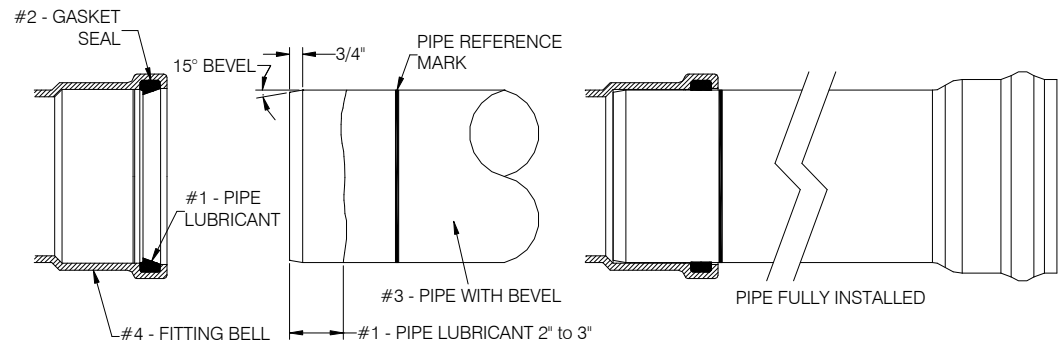
- Do not install fittings with a backhoe.
- Do not insert the pipe past the fittings pipe stop.
- Do not deflect the pipe in the fitting bell such that the fitting is loaded.
- Installation is firm to provide for a long-term seal.

**Step 1:** Cut the pipe squarely and bevel the plain end of the pipe using a beveling tool, hand rasp or disk grinder. Bevel should be approximately 15 degrees and  $\frac{3}{4}$ " long. Remove any burrs and ridges on pipe. Measure the bell depth and mark the pipe for reference. When clearance is required between the end of pipe and the bell stop, then mark the pipe at a distance equal to the bell depth minus the required pipe clearance.

**Step 2:** Clean all debris from the bell areas of the fitting. Check the position of the gasket so it's completely seated in the groove with no raised areas.

**Step 3:** Apply a layer of pipe lubricant to both the fitting gasket seal and 2 to 3 inches from the end of the pipe bevel. The lubricant should cover the entire circumference of both areas.

**Step 4:** Align the pipe at a slight angle with the fitting and push together with a pry bar. Use a 2x4 wood block between the pipe and the pry bar. When installing the fitting on the pipe place the fitting at a slight angle to the pipe and apply constant hand pressure to the fitting while using a rocking motion of the fitting onto the pipe. In both situations insert the pipe until the pipe reference mark is even with the edge of the fitting bell.



## **THE HARRINGTON CORPORATION**

P.O. BOX 10335 • LYNCHBURG VIRGINIA 24506 • PLANT 3721 COHEN PLACE • LYNCHBURG VIRGINIA 24501  
PHONE: (434) 845-7094 • FAX: (434) 845-8562 • E-mail: sales@harcofittings.com