

2" Lateral Valve Replacement Instructions

Min. Requirements: Branch bell face of main line fitting must be at least 8" below top of lateral, and lateral must have minimum 10" cover. (See Fig. 1)

Estimated time to replace is 30 min. excluding excavation dewatering and back fill

Tools Required

(In Addition to excavation tools)

Tape Measure	Screw Driver
Marking Pen	2 ea $\frac{3}{4}$ " wrenches
Saw	or adjustable wrenches
RASP	

Materials Required:

1ea. HARCO Lateral Valve, Part No 8411GG2PL
1ea. PVC 2" Class 200 PVC pipe, 1' to 2' long
1ea. 2" PVC glue coupling
PVC Primer and Glue
Pipe Lube

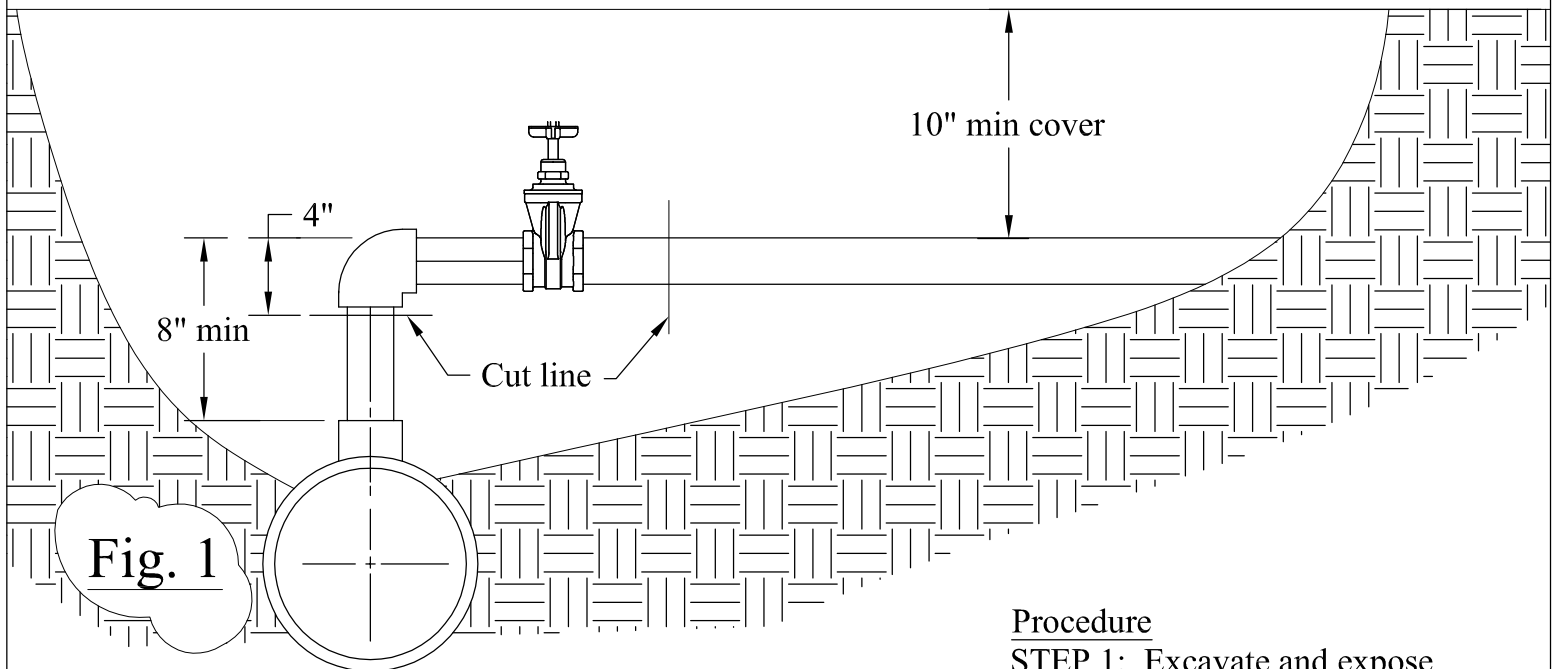


Fig. 1

Procedure

STEP 1: Excavate and expose riser to 8" below top of lateral and expose approx 3' of lateral.

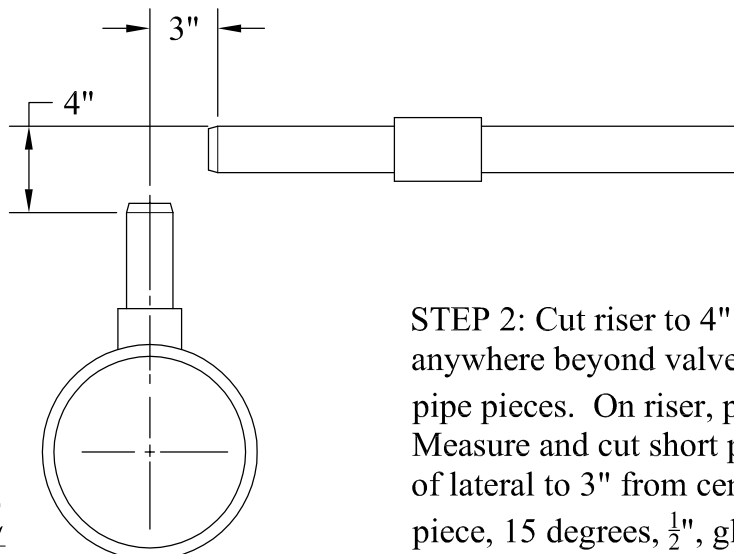
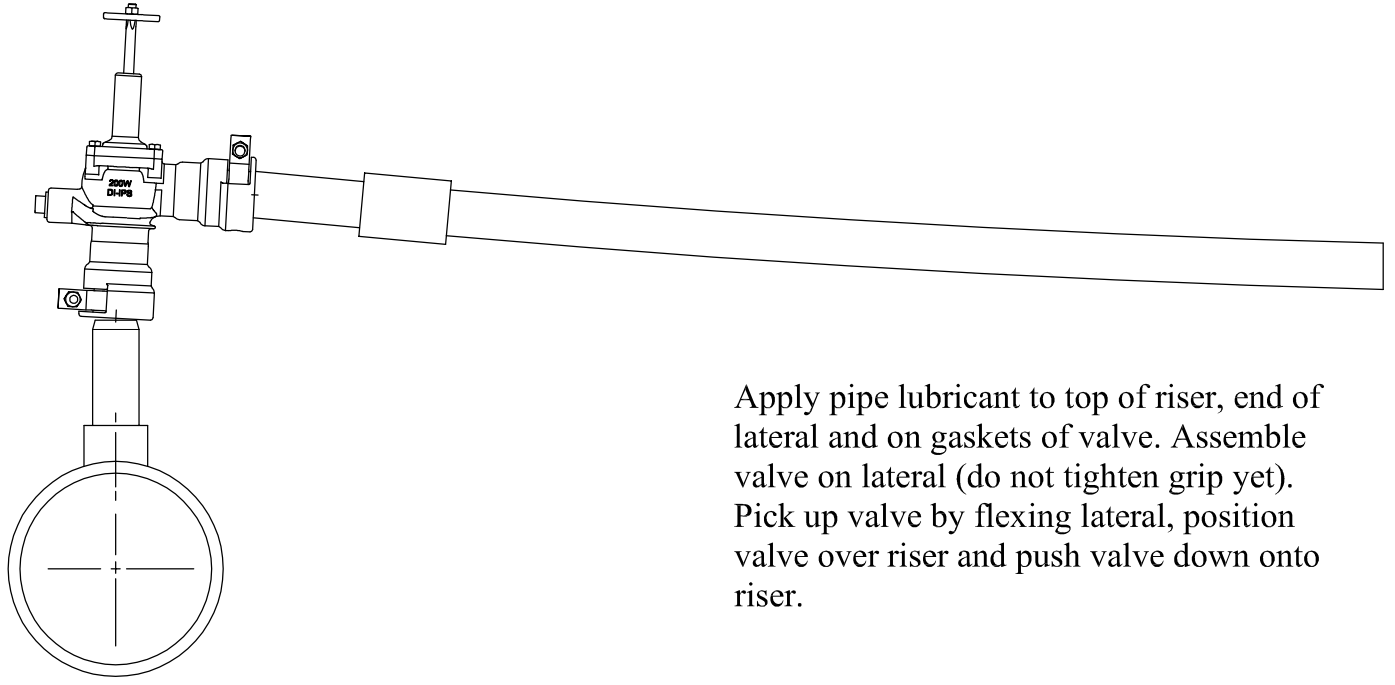


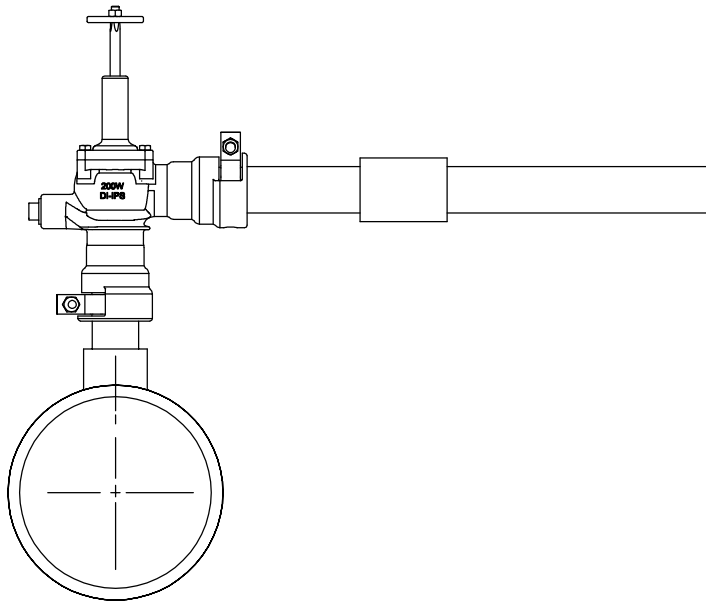
Fig. 2

STEP 2: Cut riser to 4" below top of lateral, and lateral anywhere beyond valve. Remove valve and attached pipe pieces. On riser, place 15% bevel approx $\frac{1}{2}$ " long. Measure and cut short piece of pipe that will return end of lateral to 3" from centerline of riser. Bevel one end of piece, 15 degrees, $\frac{1}{2}$ ", glue with coupling onto lateral.



Apply pipe lubricant to top of riser, end of lateral and on gaskets of valve. Assemble valve on lateral (do not tighten grip yet). Pick up valve by flexing lateral, position valve over riser and push valve down onto riser.

Fig. 3



Remove wooden wedges, tighten clamps to complete, set valve box, back fill and repressurize system.

Fig. 4

Available at your local Irrigation Distributor